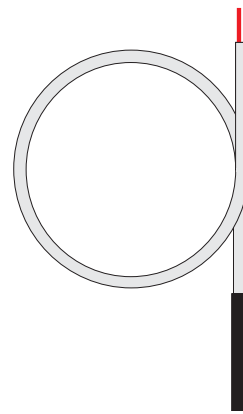


# Supply-Air Temperature Sensor (RTS-UVC) Installation Instructions

## Description

The Novar Controls Supply-Air Temperature Sensor (RTS-UVC; Figure 1) is a precision electronic sensor designed for use with the Novar Controls Unit Ventilator Controller (UVC), Electronic Thermostat Controller (ETC), Heat Pump Controller, and Heat Pump Controller Plus. The sensor is mounted in the supply airstream of the controlled heating and/or cooling equipment and uses a two-wire signal cable to send its temperature signal to the module.



**Figure 1.** RTS-UVC Supply-Air Temperature Sensor

---

**NOTE!** The sensor is permanently calibrated at the factory. It cannot be adjusted in the field.

---

## Specifications

Wire Length:	6 feet (with the sensing element at the tip of the wire) The wire length can be extended up to 100 feet if necessary.
Wire gauge:	Minimum 22-gauge wire.
Sensor tip diameter:	1/4 inch
Range:	20° to 144°F (–7° to 62°C)

---

## Mounting the RTS-UVC

The sensor should be mounted in an area where the air streams are well mixed to prevent a “stratified” temperature reading. The sensing tip and at least 6 inches of the wire leading to the tip should be mounted in the supply airstream of the controlled equipment. Tie-wraps or other suitable mounting hardware can be used to secure the sensor.

---

# Supply-Air Temperature Sensor (RTS-UVC) Installation Instructions

## Wiring the RTS-UVC

The RTS-UVC is a two-wire device. Use the following procedure and refer to Figure 2, as necessary, to wire the sensor.

Step	Procedure
1	Connect the sensor's red wire to Terminal 5 on the module.
2	Connect the sensor's black wire to Terminal 4 on the module.

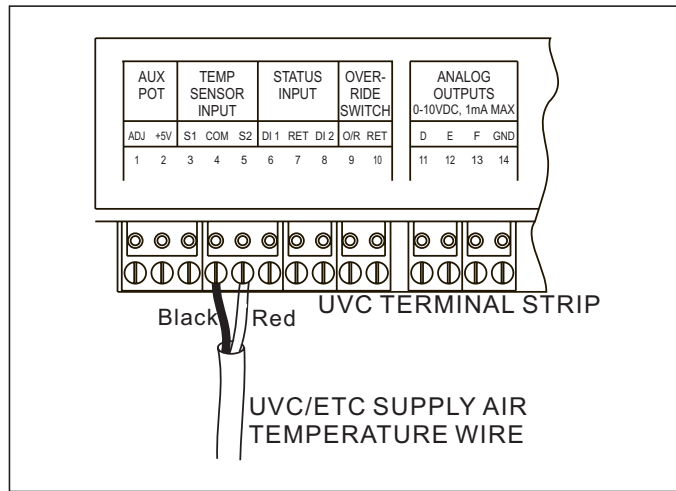


Figure 2. RTS-UVC wiring connections

## Model and Part Number

Use the part number shown in Table 1 to order the necessary Novar Controls part.

Table 1. Novar Controls Part Numbers		
PRODUCT	MODEL NO.	PART NO.
Supply-Air Temperature Sensor	RTS-UVC	736003000



THE CONTENTS OF THIS DOCUMENT ARE SUBJECT TO CHANGE WITHOUT NOTICE.

COPYRIGHT © 2004 BY NOVAR CONTROLS CORPORATION. ALL RIGHTS RESERVED.  
PRINTED IN THE U.S.A.

NOVAR CONTROLS CORPORATION  
6060 ROCKSIDE WOODS BLVD., CLEVELAND, OH 44131  
TEL.: 800.348.1235 WWW.NOVARCONTROLS.COM