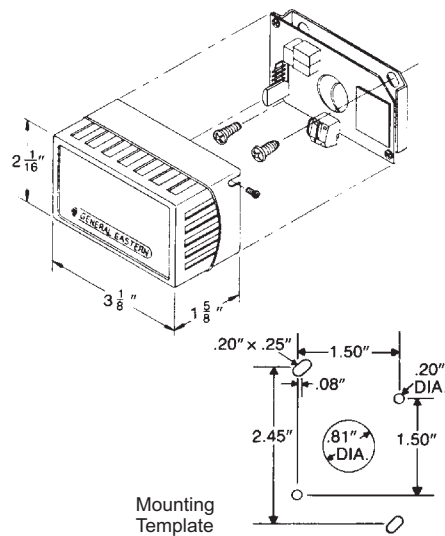


# Relative Humidity Sensor Installation Instructions

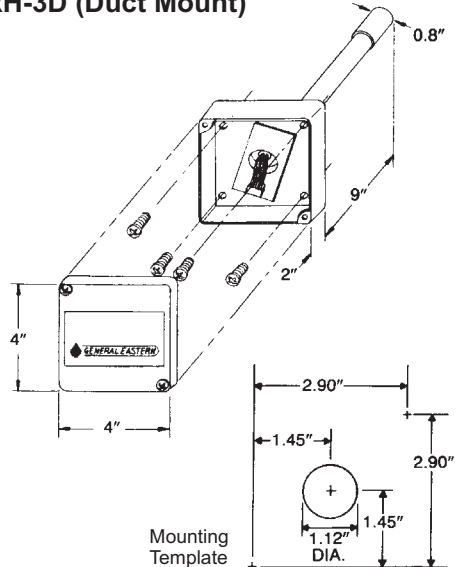
## Description

Several of Novar Controls' direct digital control modules can use 4- to 20-mA relative humidity sensors to detect humidity levels in an enclosed space or duct or outside a building. Novar Controls offers three models of relative humidity sensors (Figure 1) that are manufactured by General Eastern, 50 Hunt Street, Watertown, MA 02172. General Eastern's instructions are included with these sensors when they are shipped. This document provides instructions for connecting these sensors to various Novar Controls modules for proper operation.

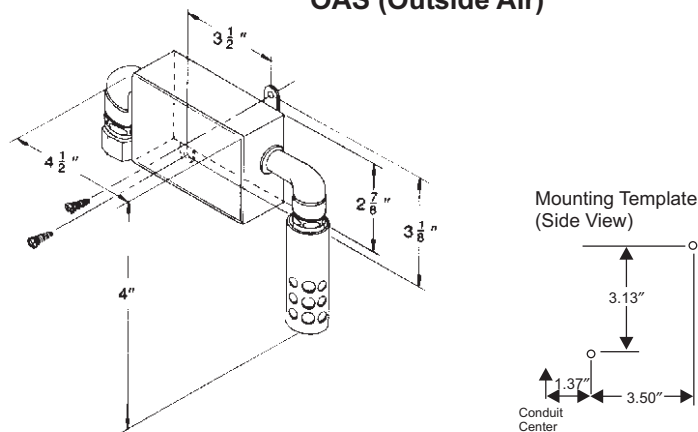
**RH-3S (Space Mount)**



**RH-3D (Duct Mount)**



**OAS (Outside Air)**



**Figure 1.** Relative humidity sensors

## Relative Humidity Sensor Installation Instructions

---

### Mounting the Sensors

Use the following procedure and refer to Figure 1, as necessary, to mount the sensors.

Step	Procedure
1	Position the sensor's backplate against the mounting surface and mark the surface to show the location of the mounting holes.
2	Drill holes in the locations marked and, if necessary, install hollow-wall anchors.
3	Mount the sensor. <ul style="list-style-type: none"><li>■ Use two mounting screws, one each in opposite corners of the RH-3S backplate.</li><li>■ Use four screws, one in each corner of the RH-3D backplate.</li><li>■ Use two screws in the mounting tabs on the backplate of the OAS.</li></ul>

---

### Wiring the Sensors

---

**NOTE!** Current limiters (Novar Controls Part No. 680002000) must be used with the relative humidity sensors. Installation instructions are provided with the limiters.

---

A two-conductor shielded cable (Belden 8761, Novar Controls WIR-1010, or equivalent) should be used to make the following wiring connections.

---

#### IOM/2, EC, or Savvy Connections

Use the following procedure to connect the sensors to an IOM/2, EC, or Savvy.

Step	Procedure
1	Connect the wire from the sensor's positive (+) terminal to the module's program-defined positive (+) input terminal.
2	Connect the wire from the sensor's negative (-) terminal to the module's program-defined negative (-) input terminal.

---

## Relative Humidity Sensor Installation Instructions

### 8-IME or LEN-I1 Connections:

Use the following procedure to connect the sensors to an 8-IME or an LEN-I1.

Step	Procedure
1	Connect the wire from the sensor's negative (-) terminal to the specific program-defined positive (+) input on the Sensor Inputs terminal strip.
2	Connect the wire from the sensor's positive (+) terminal to Terminal 17 (PWR +) on the module's terminal strip.

### Model and Part Numbers

Use the part numbers provided in Table 1 to order the necessary Novar Controls parts.

Table 1. Novar Controls Part Numbers		
PRODUCT	MODEL NO.	PART NO.
Relative Humidity Sensor (space mount)	RH-3S	780011000
Relative Humidity Sensor (duct mount)	RH-3D	780012000
Relative Humidity Sensor (outside air)	OAS	780014000
Current Limiters	—	680002000
Two-conductor shielded cable (Belden 8761 equivalent)	WIR-1010	709001000



THE CONTENTS OF THIS DOCUMENT ARE SUBJECT TO CHANGE WITHOUT NOTICE.

COPYRIGHT © 2004 BY NOVAR CONTROLS CORPORATION. ALL RIGHTS RESERVED.  
PRINTED IN THE U.S.A.

NOVAR CONTROLS CORPORATION  
6060 ROCKSIDE WOODS BLVD., CLEVELAND, OH 44131  
TEL.: 800.348.1235 WWW.NOVARCONTROLS.COM

This page intentionally left blank.