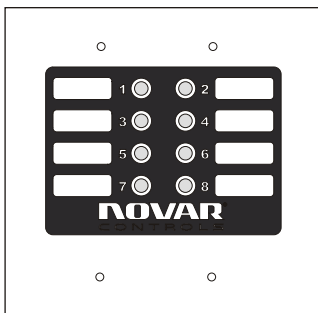


# Universal Override Panel Installation Instructions

## Description

Novar’s Universal Override Panel (Figure 1) is designed to be used with any of Novar’s Logic One® controllers. The duration of the override for each product is specified in the software.

The panel consists of a circuit board containing eight push buttons and a removable terminal strip. It is attached to a stainless steel wall plate that is designed to be mounted to a standard dual gang electrical box.



**Figure 1.** Universal Override Panel

Each of the panel’s buttons has its own pair of wiring terminals so it can be wired to a unique input or device. The buttons do not contain light-emitting diodes (LEDs).

The panel is powered by the circuitry of the equipment to which it is wired.

## Specifications

### Physical Dimensions

Height:	4 1/2 inches
Width:	4 5/8 inches
Depth:	1 3/4 inches
Minimum wire size:	22 gauge
Maximum wire distance:	1000 ft.

## Precautions

The following precautions should be taken during installation:

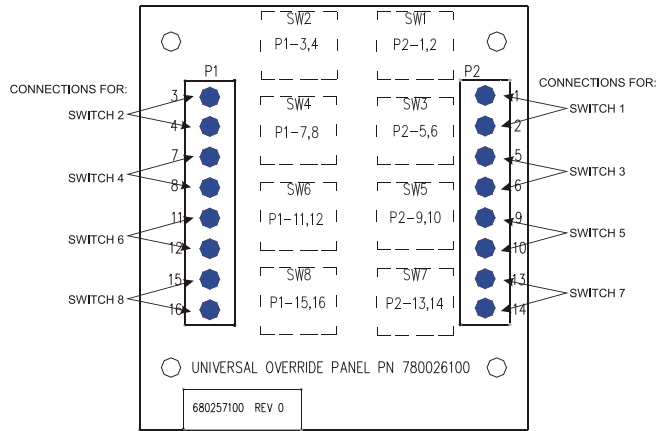
- Observe all national and local electrical codes.
- Limit input current to each switch to less than 30 mA DC. The Universal Override Panel is a Class 2 device.



## Wiring the Panel

Each button on the panel contains two wiring terminals; therefore, each button can be wired to a separate device. For example, some of the buttons could be wired to a Savvy's override terminal strip while the other buttons are wired to ETMs or to an IOM/2's remote override terminal strip.

Figure 2 shows a rear view of the panel and indicates appropriate wiring connections for each switch.



**Figure 2.** Universal Override Panel wiring connections

Space has been provided on the label on the front of the remote override panel so that each switch can be labeled to indicate the product to which it has been wired. Wiring requirements are provided in the specific installation instructions for each controller.

## Mounting the Panel

The following procedure should be used to mount the panel.

Step	Procedure
1	Position the panel over the electrical box, aligning the screw holes on the panel's plate with those in the box.
2	Insert and tighten the mounting screws (provided) to secure the panel.

**Checking the Installation**

Once the panel has been wired and mounted, check it carefully to make sure the wiring is correct and the panel is secure.

**Part Number**

The part number shown in Table 1 should be used to order the Novar part.

Table 1. Novar Part Numbers		
PRODUCT	MODEL NO.	PART NO.
Universal Override Panel	—	780026100

Logic One® and Savvy® are registered trademarks of Novar.

The material in this document is for information purposes only. The contents and the product it describes are subject to change without notice. Novar makes no representations or warranties with respect to this document. In no event shall Novar be liable for technical or editorial omissions or mistakes in this document, nor shall it be liable for any damages, direct or incidental, arising out of or related to the use of this document. No part of this document may be reproduced in any form or by any means without prior written permission from Novar.

Printed in Mexico.

Copyright © 2007 by Honeywell International, Inc.. All Rights Reserved.

Novar; 6060 Rockside Woods Blvd., Cleveland, OH 44131  
 Tel.: 800.348.1235 www.novar.com

**Notes**